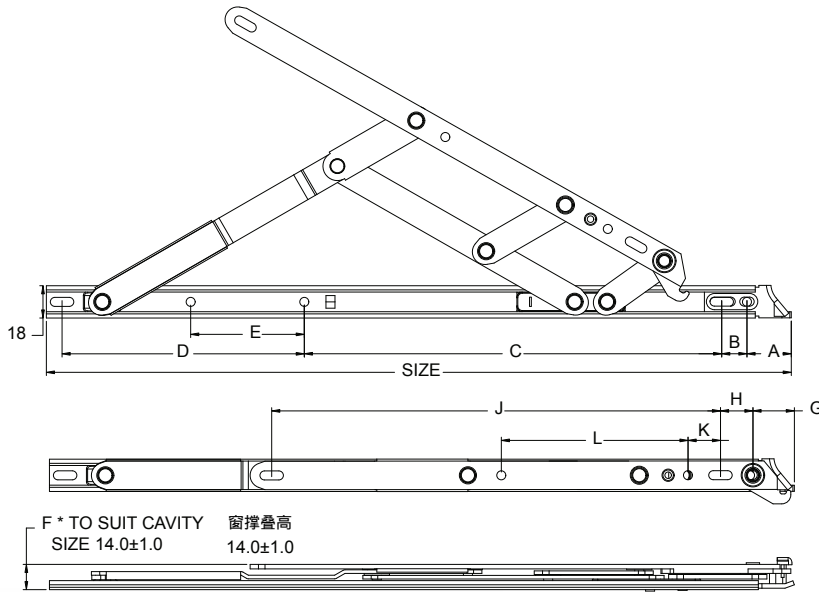
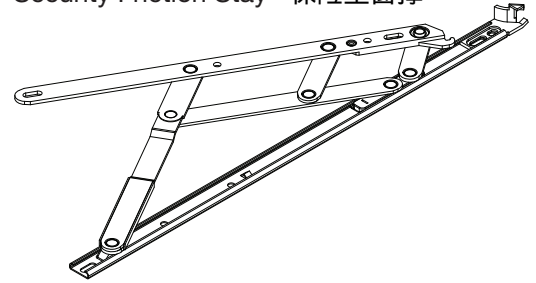


Technical Information 技术信息

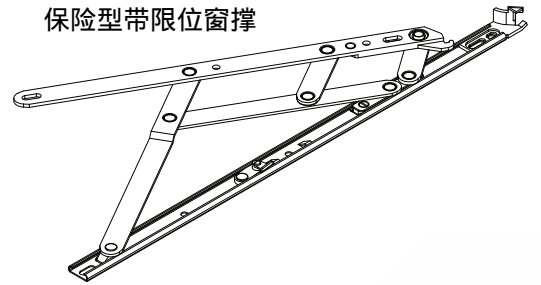
SECURITY FRICTION STAYS - DIMENSIONS 保险型窗撑-尺寸规格



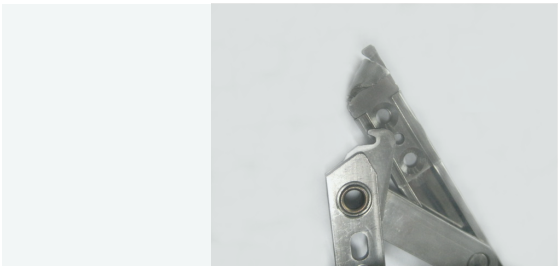
Security Friction Stay 保险型窗撑



Security Restricted Friction Stay 保险型带限位窗撑



| DIMENSIONS - MM 尺寸规格- MM | | SIZE | A | B | C | D | E | F | G | H | J | K | L |
|--------------------------|-----|------|------|-------|-------|-------|------|------|------|-------|------|-------|---|
| SIDE HUNG 平开窗 | 12" | 22.5 | 18.0 | 196.0 | 69.0 | - | 14.0 | 23.0 | 15.0 | 173.5 | - | 74.5 | |
| | 16" | 22.5 | 18.0 | 246.0 | 119.0 | 49.0 | 14.0 | 23.0 | 18.5 | 220.0 | 13.5 | 107.0 | |
| TOP HUNG 上悬窗 | 8" | 22.5 | 18.0 | 125.5 | 40.5 | - | 14.0 | 23.0 | 15.0 | 136.0 | - | - | |
| | 10" | 22.5 | 18.0 | 174.5 | 41.5 | - | 14.0 | 23.0 | 18.5 | 155.0 | 13.5 | - | |
| | 12" | 22.5 | 18.0 | 209.5 | 56.0 | - | 14.0 | 23.0 | 18.5 | 176.0 | 13.5 | 37.0 | |
| | 16" | 22.5 | 18.0 | 246.0 | 119.0 | 49.0 | 14.0 | 23.0 | 18.5 | 220.0 | 13.5 | 107.0 | |
| | 20" | 22.5 | 18.0 | 213.5 | 251.0 | 116.0 | 14.0 | 23.0 | 18.5 | 270.5 | 13.5 | 157.5 | |
| | 24" | 22.5 | 18.0 | 213.5 | 350.5 | 166.0 | 14.0 | 23.0 | 18.5 | 307.0 | 13.5 | 207.5 | |



- A range of security top hung and side hung variants that can conform to BS7950:1997
 - Advanced interlocking hook design creating two additional high level security points on a window sash
 - Side hung - 12" and 16", Top hung - 8" - 24"
 - Spring loaded restrictor option available which ensures automatic re-engagement as the stay is closed (limiting the initial opening to 100mm)
 - Top hung restricted stays supplied with catches on both left and right hand stays
 - Side hung restricted stays supplied handed with catches fitted on lower stay only
- 可提供一系列的保险上悬型及平开型窗撑,符合 BS7950:1997
 - 先进的钩状互锁设计,额外增加窗户与窗框连接的两个更高安全点。
 - 平开型有12寸及16寸,上悬型有8寸到24寸。
 - 弹性限位结构可使窗撑在关闭时滑动自动归位。(仅限初步打开10mm时)
 - 带限位平开型窗撑分为左手钮及右手按钮两种型号。
 - 带限位平开型窗撑只限装在窗框下侧。

Technical Information 技术信息

Assessment Data

Performance:

stays are tested to over 25,000 operations

Corrosion resistance:

meets requirements of BS EN 1670:1998 grade 5
 Restricted variant meets requirements of BS6375 Pt.2 (BS EN 1204 - 1:2003)

数据评估

功能:循环测试通过超 25,000转

耐腐蚀性:符合 BS EN1670:1998 等级5的标准。

带限位系列符合 BS6375 Pt.2 (BS EN 1204 - 1:2003) 的标准。

Material Specifications

Track, link and rivets:

430 grade stainless steel (ref BS1449 Part 2:1991)

Plastic Components: Nylon 6

原材料说明

导轨、连杆及铆钉:

不锈钢430 (符合 BS1449 Part 2:1991)

塑胶配件:采用尼龙6。

Additional Information 补充信息

Box Qty: 10 Pairs,

包装数量: 10对/盒



PICTURE SHOWS RESTRICTED VERSION
 图为带限位窗撑示意

| PRODUCT CODES 成品代码 | | | | | | |
|--------------------|---------------------------------|------------|------------|------------------------|--------------------|------------------------------------|
| | TYPE 款式 | CODE 成品代码 | SIZE 规格(寸) | OPENING ANGLE (°) 打开角度 | MAX WEIGHT 窗最重(KG) | MAX VENT SIZE W X H (MM) 窗户规格(宽 高) |
| SIDE HUNG 平开窗 | SECURITY STAY 保险型 | SSH12P | 12 | 60 | 22 | 600 x 1200 |
| | | SSH16P | 16 | 60 | 24 | 650 x 1200 |
| TOP HUNG 上悬窗 | | STH08P | 08 | 80 | 12 | 1200 x 350 |
| | | STH10P | 10 | 85 | 14 | 1200 x 400 |
| | | STH12P | 12 | 85 | 16 | 1200 x 600 |
| | | STH16P | 16 | 60 | 20 | 1200 x 800 |
| | | STH20P | 20 | 45 | 24 | 1200 x 900 |
| | | STH24P | 24 | 40 | 27 | 1200 x 1000 |
| SIDE HUNG 平开窗 | SECURITY RESTRICTED STAY 带限位保险型 | L/RSRSH12P | 12 | 60 | 22 | 600 x 1200 |
| | | L/RSRSH16P | 16 | 60 | 24 | 650 x 1200 |
| TOP HUNG 上悬窗 | | SRTH16P | 16 | 60 | 20 | 1200 x 800 |
| | | SRTH20P | 20 | 45 | 24 | 1200 x 900 |
| | | SRTH24P | 24 | 40 | 27 | 1200 x 1000 |