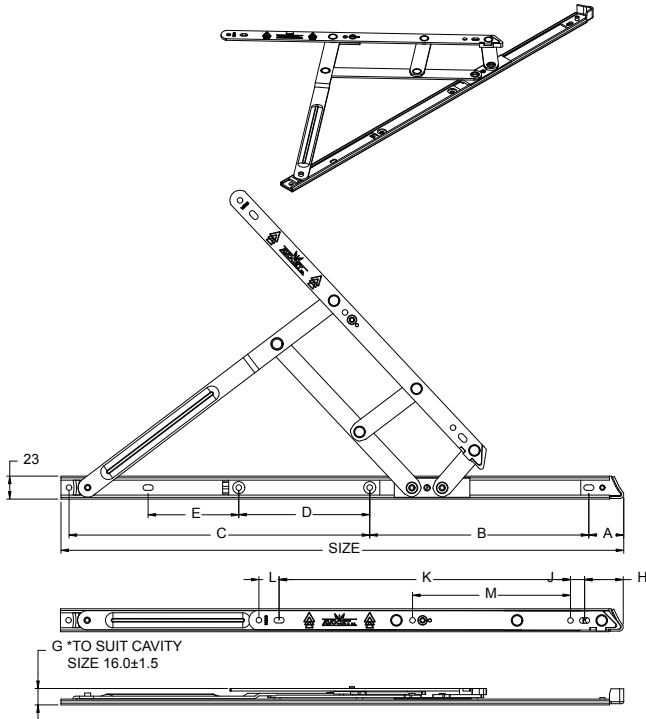
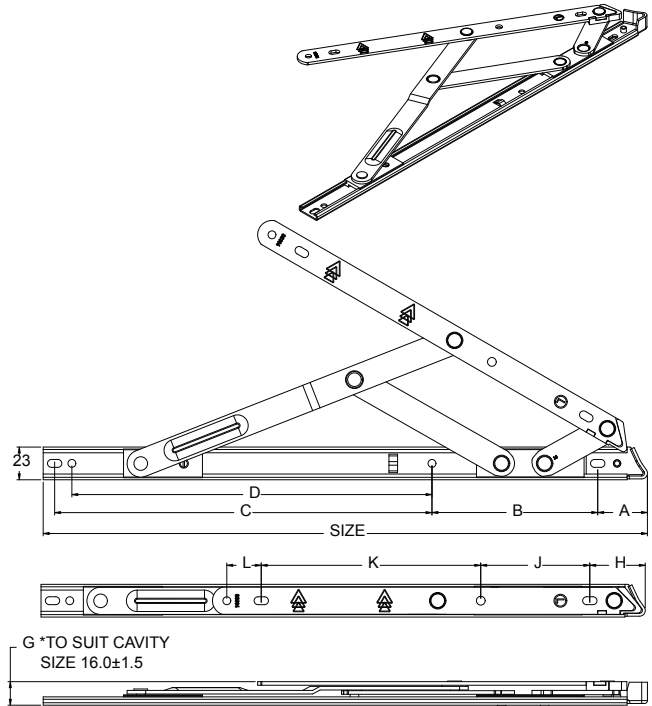


Technical Information 技术信息

HEAVY DUTY TRIAD FRICTION STAY 加固型窗撑



SIDE/TOP HUNG



EGRESS

DIMENSIONS-MM														
	SIZE	A	B	C	D	E	F	G	H	J	K	L	M	N
SIDE HUNG	10"	34.5	167.5	44.0	-	-	-	16	38.5	27.0	106.0	19.0	-	-
	16"	34.5	243.5	120.0	41.5	-	-	16	38.5	90.0	139.0	24.0	-	-
TOP HUNG	10"	34.5	16.5	44.0	-	-	-	16	38.5	27.0	101.0	24.0	-	-
	16"	34.5	243.5	120.0	41.5	-	-	16	38.5	14.0	215.0	24.0	76.0	-
	22"	34.5	217.5	298.5	130.0	90.0	-	16	38.5	14.0	289.5	20.0	157.0	-
	26"	34.5	141.5	476.0	130.0	130.0	117.5	16	38.5	14.0	364.5	40.0	184.5	35.0
EGRESS	12"	34.5	91.5	170.0	158.0	-	-	16	38.5	31.0	142.0	15.0	-	-
	16"	34.5	115.5	263.0	251.0	-	-	16	38.5	76.0	153.0	24.0	-	-



- A range of heavy duty top, side & egress variants
- Suitable for commercial applications including Aluminium & Timber
- Manufactured from 304 or 430 grade stainless steel with a steel end cap and reinforced link - brass slider
- Suitable for stack heights of 16-18mm
- 22mm Track, 20mm vent arm
- 可提供一系列加固上悬型、平开型及平开90度。
- 适用于日常使用的窗户，包括铝制窗及木制窗。
- 产品采用高级不锈钢304或430材料制造，并设计有钢制尾塞及加固的铜滑块。
- 窗撑叠高高度为16-18mm
- 导轨件宽度为22mm, 连杆宽度为20mm

Technical Information 技术信息

Assessment Data

Performance: cycle tested to over 50,000 operations

Corrosion resistance: meets requirements of BS EN 1670:1998 grade 5

Egress variants: can meet requirements of BS 5588:1998 Pt 1: 1990 & document B of the building regulations

数据评估

功能: 循环测试通过超 25,000转。

并满足BS 6375 Pt.1:2004 & Pt 2:1987的要求。

耐腐蚀性: 符合BS EN1670:1998 等级5的标准。

打开角度: 可满足BS 5588:1998 Pt 1: 1990

建筑规则B的要求。

Material Specifications

Track, link and rivets: Austenitic (304) or Ferretic(430) stainless steel

Slider: Brass

Nib: Glass reinforced Nylon

原材料说明

导轨件、连杆及铆钉: 采用不锈钢304或不锈钢430。

滑块: 铜。

堵头: 尼龙加玻璃纤维。

Additional Information

补充信息

Box Quantity: 30 pairs

包装数量: 30对/盒



PRODUCT CODES 成品代码							
	PART NO. 成品代码	LENGTH (MM) 长度	OPEN ANGLE(°) 打开角度	MAX WEIGHT 窗最重(KG)	MAX VENT SIZE 窗户规格 (MM)	AUSTE- NETIC 不锈钢 304 标示	
SIDE HUNG 平开窗	HDSH10P	254	75	40	650	WIDTH 宽度	A
	HDSH16P	406	80	50	900		A
TOP HUNG 上悬窗	HDTH10P	254	50	50	700	HEIGHT 高度	A
	HDTH16P	405	50	60	1120		A
	HDTH22P	559	50	75	1500		A
	HDTH26P	660	25	150	2000		A
EGRESS 90度平开窗	EHDSH12P	304	88	35	700	WIDTH 宽度	A
	EHDSH16P	420	88	45	900		A

For Austenitic Heavy Duty Friction Stays add an 'A' to the end of the product code, i.e. HDSH10PA = 10" Austenitic Steel, Side Hung Heavy Duty Friction Stay.

采用不锈钢304制造的产品编码后面加 " A " ,

例如 HDSH10PA表示不锈钢304制造的平开加固型窗撑。