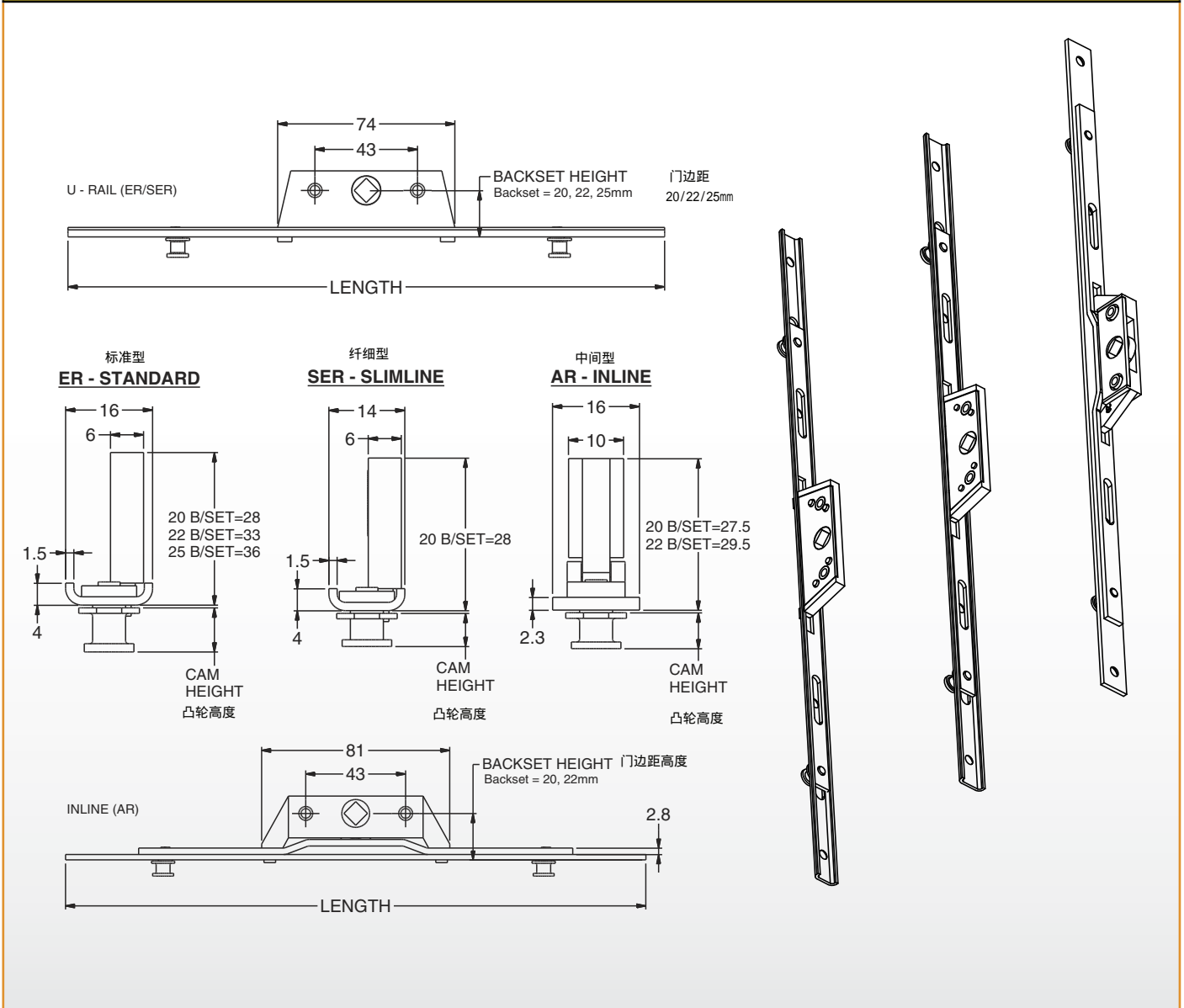


## Technical Information 技术信息

### ESPAÑOLETE RODS - DIMENSIONS 窗锁-尺寸



### PRODUCT OPTIONS 产品选项

ROD TYPE 类型	BACKSET SIZES 门边距			CAM SIZES 凸轮				ROD LENGTH 长度						
	20	22	25	6	7	8	10	150	250	400	600	800	1000	1200
IN-LINE (AR) 中间型	✓	✓	✓	✓	✓	✓	✓	✓	✓	✓	✓	✓	✓	✓
ST'D U-RAIL (ER) 欧洲U型	✓	✓	✓	✓	✓	✓	✓	✓	✓	✓	✓	✓	✓	✓
SLIM U-RAIL (SER) 纤细U型	✓	✓	✓	✓	✓	✓	✓	✓	✓	✓	✓	✓	✓	✓

- New Trivalent Silver finish
- Eccentric cams to provide smooth operation with 7, 8 and 10mm heights (see product option chart)
- 20mm, 22mm and 25mm backsets (see product option chart)
- Keeps are available for all major profiles (see profile related keep chart on page 036)
- Suitable for uPVC
- For Timber and Aluminium applications please consult the BRISENSE Technical Department
- 新三价铬银色镀锌
- 外条（导轨件）有直平的，也有U形槽的
- 偏心凸轮高度有7、8、10mm等（参考产品规格表）
- 门边距有20、22、25mm（参考产品规格表）
- 提供窗扣板，适合大多数窗型（扣板可见036页表）
- 适合uPVC窗
- 也适用于木质窗及铝合金窗，请咨询百森技术部

## Technical Information

### Assessment Data

**Performance:** Endurance tested to 25,000 operations  
**Corrosion Resistance:** Meets requirements of BS EN 1670:1998, Grade 3

### 技术要求

25,000次安全可靠测试  
 表面符合BS EN 1670:1998 3级标准

### Material Specifications 材料规格

**All Metal Components:** Steel C1008 所有五金件：冷扎钢板

**Gearbox Body:** Zinc BS1004A 齿轮箱：锌合金

#### Coating Details:

Steel components - Trivalent plated 20-25 表面处理  
 microns coating thickness 电彩锌三价铬钝化  
 厚度20-25 μ

### Additional Information 其它信息

**Box Quantity:** 10 units 包装 10个/盒

**Keeps:** 扣板请参考036页表

For profile related keeps please refer to page 036



PRODUCT CODES						
ST'D U-RAIL 欧洲 U形	SLIM U-RAIL 纤细 U形	INLINE 直平	BACKSET SIZE 门边距	CAM SIZE 凸轮高度	ROD LENGTH 总长度 mm	TRIVALENT 电彩锌三价铬
		AR	22	7	250/400/600/800/1000	T
		AR	20	8	250/400/600/800/1000/1200	T
		AR	22	8	150/250/400/600/800/1000/1200	T
		AR	20	10	250/400/600/800/1000/1200	T
		AR	22	10	250/400/600/800/1000/1200	T
ER			20	MH8	250/400/600/800/1000/1200	T
ER			22	MH7	250/400/600/800/1000/1200	T
ER			25	MH8	250/400/600/800/1000/1200	T
	SER		20	MH6	250/400/600/800/1000	T
	SER		20	MH8	250/400/600/800/1000	T

i.e: AR208250T = Inline espag rod, 20mm backset, 8mm cams, 250mm rod length 例如 AR208250T = 外条直平的, 门边距为20mm, 凸轮高度8mm, 总长为250mm  
 AR228250T = Inline espag rod, 22mm backset, 8mm cams, 250mm rod length 例如 AR228250T = 外条直平的, 门边距为22mm, 凸轮高度8mm, 总长为250mm  
 ER20MH8400T = St'd U-Rail espag rod, 20mm backset, 8mm cams, 400mm rod length 例如 ER20MH8400T = 外条欧洲 U形的, 门边距为20mm, 凸轮高度8mm, 总长为400mm  
 SER20MH8600T = Slim U-Rail espag rod, 20mm backset, 8mm cams, 600mm rod length 例如 ER22MH8600T = 外条纤细 U形的, 门边距为22mm, 凸轮高度8mm, 总长为600mm