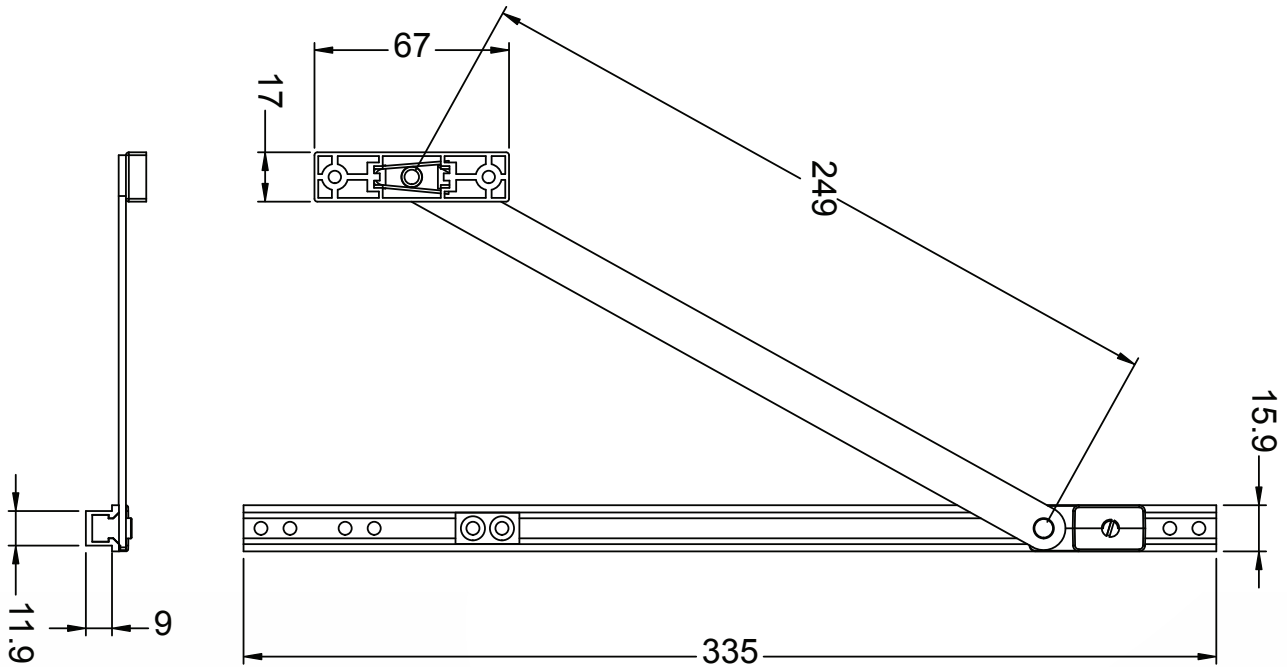


Technical Information 技术信息

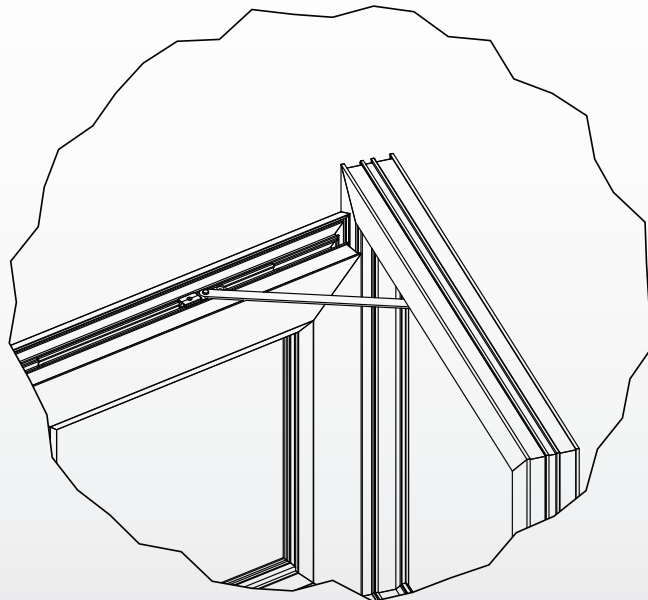
DOOR RESTRICTOR - INSTALLATION GUIDELINES 门撑-安装示意图

Fitting instructions apply to both types. 本示意均适合我司的两款门撑SLDR及RS10



Position track in eurogroove to give 90° stop.

90度打开限位状态



- Restrictor limits door opening to a preset position or to maximum of 90°
- Easy to fit in eurogroove & bracket to frame
- Slider contains friction screws to hold the door open in mild wind conditions
- 335mm length
- Suitable for all major uPVC profiles
- 门限位撑，可根据需要调整打开角度，最大可打开90度。
- 易于安装
- 滑块上装有调节螺丝，可调节门打开的松紧
- 长度335mm
- 适用于大多数 uPVC窗

Technical Information 技术信息

Assessment Data

Performance: tested to 100,000 operations

Corrosion resistance: meets requirements of BS EN 1670:1998 Grade 4

数据评估

功能: 循环测试通过超 100,000转。

耐腐蚀性: 符合BS EN1670:1998 等级4的标准。

Material Specifications

Track: Aluminium Extruded (SLDR),
Stainless steel 430 (RS10)

Slider/Endcap: Nylon 66

Frame locator: Zinc BS1004A

原材料说明

导轨: 铝槽 (SLDR), 不锈钢430 (RS10)

滑块、尾塞: 尼龙6

框架固定件: 锌合金



SLDR

RS10

PRODUCT CODES 成品代码	
CODE 代码	DESCRIPTION 描述
SLDR	EUROGROOVE MOUNTED - DOOR RESTRICTOR
RS10	NON-EUROGROOVE - DOOR RESTRICTOR, SUITABLE FOR ALUMINIUM